

IMM Quality Boat Lifts

PLATINUM BOAT LIFT SPECIFICATIONS

4 POST BOAT LIFTS WITH 2 CRADLE BEAMS AND 4 CABLES

Typical Boat House Lift Dimensions

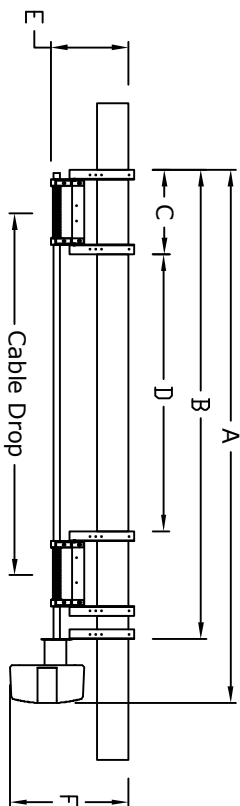
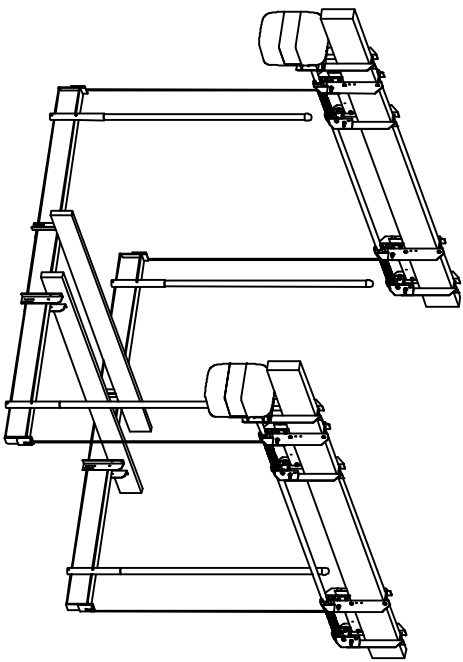


Table A

LIFT CAPACITY	A	B	C	D	Cable Drop
4,500 LB	149"	139.5"	27.25"	74"	10"
7,000 LB	161"	151.5"	27.25"	86"	11.3"
10,000 LB	161"	151.5"	30.25"	80"	11.0"
13,000 LB	161"	151.5"	30.25"	80"	11.0"
16,000 LB	161"	151.5"	30.25"	80"	11.0"
16,000 XL LB	185"	175.5"	30.25"	104"	13.4"
20,000 LB	185"	175.5"	35.25"	94"	12.3"

Table B

Lift Configuration	Height of Post	Bottom Rail
Platinum: Uncovered	24.5"	32"
Platinum: Covered	29"	36.5"

LIFT CAPACITY lbs.	CRADLE SIZE L x B x H	COVERED CABLE WANDER SIZE inches	DRIVE SHAFT SIZE inches	GEAR RATIO	NO. OF MOTORS & H.P.	CABLES	CABLE SPREAD INCHES	LIFT SPEED in/min	GUIDE POST HEIGHT	WOOD BOAT BUNKS OPTION	ALUM. BOAT BUNKS OPTION
4,500	6 x 190 H 4 x 290 W 120 L	2.375 DIA 17" Length LIFTS 14 FT.	1.9 0" TUBE 9 ga	375:1	(2)3/4H-P-115V/22A 230V/11A	5/16 SSAC 7x19 304, 1P 20"	101	36	7	2 x 8 x 144	144
7,000	6 x 190 H 4 x 290 W 144 L	2.375 DIA 17" Length LIFTS 14 FT.	1.9 0" TUBE 9 ga	375:1	(2)3/4H-P-115V/22A 230V/11A	5/16 SSAC 7x19 304, 1P 20"	113	36	7	2 x 8 x 144	144
10,000	8 x 230 H 5 x 350 W 150 L	2.375 DIA 20" Length LIFTS 12 FT.	1.9 0" TUBE 9 ga	375:1	(2)3/4H-P-115V/22A 230V/11A	5/16 SSAC 7x19 304, 2P 38"	110	18	7	2 x 8 x 144	144
13,000	8 x 230 H 5 x 350 W 150 L	2.375 DIA 20" Length LIFTS 12 FT.	1.9 0" TUBE 9 ga	375:1	(2)1HP 230V/13A	5/16 SSAC 7x19 304, 2P 38"	110	18	7	2 x 8 x 144	144
16,000	10 x 250 H 6 x 410 W 168 L	2.375 DIA 20" Length LIFTS 12 FT.	1.9 0" TUBE 8 ga	375:1	(2)1HP 230V/13A	5/16 SSAC 7x19 304, 2P 38"	110	18	10	3 x 10 x 168	192
16,000 XL	10 x 250 H 6 x 410 W 168 L	2.375 DIA 20" Length LIFTS 12 FT.	1.9 0" TUBE 8 ga	375:1	(2)1HP 230V/13A	5/16 SSAC 7x19 304, 2P 38"	134	18	10	3 x 10 x 192	192
20,000	12 x 290 H 7 x 470 W 192 L	2.375 DIA 25" Length LIFTS 12 FT.	1.9 0" TUBE 8 ga	375:1	(2)1HP 230V/13A	5/16 SSAC 7x19 304, 3P 60"	123	12	10	3 x 10 x 192	192

IMM BOAT LIFTS, INC. IS NOT RESPONSIBLE FOR THE DOCK STRUCTURE OR ITS ABILITY RESIST THE APPLIED LOADS OF THE BOAT LIFT. THE SITE SHOULD BE VERIFIED BY A LICENSED MARINE CONTRACTOR. APPLIED LOADS WILL BE PROVIDED UPON REQUEST.

